

ALPHA1

AFFORDABLE ENERGY EFFICIENCY

THE **ALPHA1** DELIVERS THE HIGHEST ENERGY EFFICIENCY ON THE MARKET. ALSO AVAILABLE AS A STAINLESS STEEL 'N' VERSION FOR DHW APPLICATIONS

The ALPHA1 is a high efficiency circulator, designed for pumping liquids in heating and hot water systems (stainless steel 'N' version) and it offers the flexibility to cover 5 or 6m applications with one pump.

The ALPHA1 can achieve the goal of reaching the highest possible energy savings in comparison to older technology fixed speed pumps. The reduction in power consumption is achieved by using permanent magnet motor technology, this can be as low as 4 watts – which can be seen on the LCD power display.

The variable speed modulating modes allow the pump to match its performance to the system requirements, helping to reduce noise when thermostatic valves are closing.

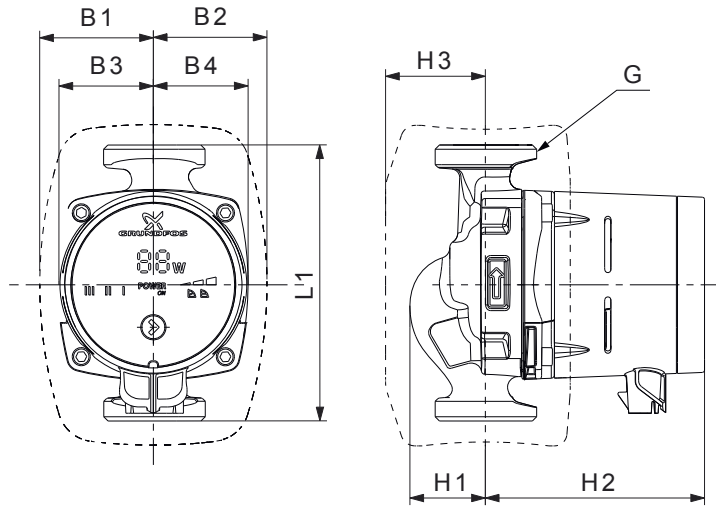
Noise/heat insulation shells are supplied as standard.

5 YEAR
warranty



The ALPHA1 also offers you:

- Higher efficiency – EEI ≤ 0.17 htg and ≤ 0.20 hws
- 3 constant pressure modes – for underfloor heating
- 3 proportional pressure modes – for radiator systems with high flow variation
- Improved hydraulics – in base
- Automatic de-blocking – with robust start-up function
- Maintenance free and low noise – due to canned-rota design
- Compact design – upto 6m head



Technical data	ALPHA1 15-50/60	ALPHA1 15-50 N
Supply voltage:	1 x 230 V – 50/60 Hz	1 x 230 V – 50/60 Hz
Flow rate, Q_{max} :	3.4 m ³ /h	2.5 m ³ /h
Liquid temperature:	+2° C to +110° C (TF 110)	+2° C to +110° C (TF 110)
System pressure, P_{max} :	1.0 MPa/10 bar	1.0 MPa/10 bar
Power Range:	3-34W	3-26W
Ambient temperature:	0° C to +40° C	0° C to +40° C
EEl:	≤ 0.17	≤ 0.20
Enclosure class:	IP X4D	IP X4D
Insulation class:	F	F

Pump type	EEl	Dimensions [mm]								Weights [kg]		Ship. vol. [dm ³]	Product number	
		L1	B1	B2	B3	B4	H1	H2	H3	G	Net			Gross
ALPHA1 15-50 N	≤ 0.20	130	54	54	44	44	37	104	47	G1 1/2	2.0	2.1	4.00	99415696
ALPHA1 15-50/60	≤ 0.17	130	54	54	44	44	36	104	47	G1 1/2	1.9	2.0	4.00	99415672

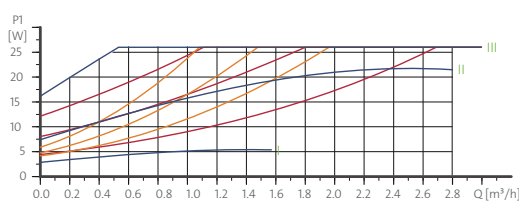
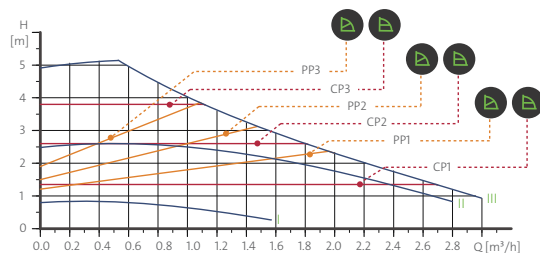
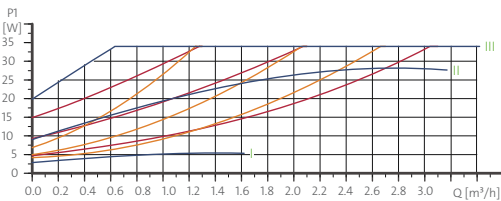
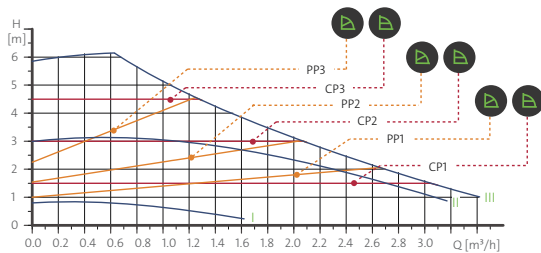
Performance curves



ALPHA1 15-50/60



ALPHA1 15-50 N



Grundfos Pumps Ltd
 Grovebury Road, Leighton Buzzard,
 Beds. LU7 4TL
 Tel: 01525 850000
 Email: grundfos-uk@sales.grundfos.com
 www.grundfos.co.uk

